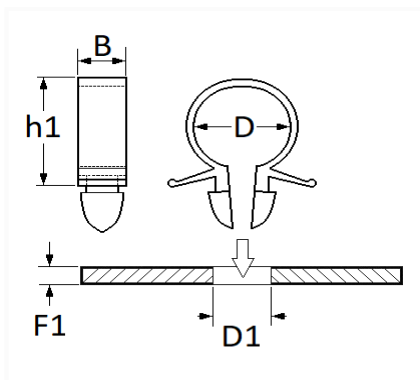


1 Allée des Bouleaux -F-95110 SANNOIS  
 +33 (0)1 39 98 55 00  
 info@restagraf.com

OMEGAKLEM Ø 15 mm KABELBEVESTIGING



| Item code | Number of References | Number of pieces | Conditioning |
|-----------|----------------------|------------------|--------------|
| 360       | 1                    | 25               |              |



| Technical informations |              |
|------------------------|--------------|
| D                      | 15 mm        |
| B                      | 8 mm         |
| h1                     | 15 mm        |
| D1                     | 6.5 mm       |
| F1                     | 0.7 → 2.5 mm |
|                        |              |
|                        |              |
|                        |              |
|                        |              |
|                        |              |

| Materials    |
|--------------|
| POLYAMIDE 66 |

| Manufacturer correspondence* |             |                   |        |
|------------------------------|-------------|-------------------|--------|
| MERCEDES-BENZ                | A0009956144 | PEUGEOT / CITROËN | 6995J5 |

Manufacturer correspondence\*

|                   |            |                   |        |
|-------------------|------------|-------------------|--------|
| PEUGEOT / CITROËN | 6997J6     | PEUGEOT / CITROËN | 6999C6 |
| RENAULT           | 7703079071 |                   |        |

\* Non contractual information given as indication

---