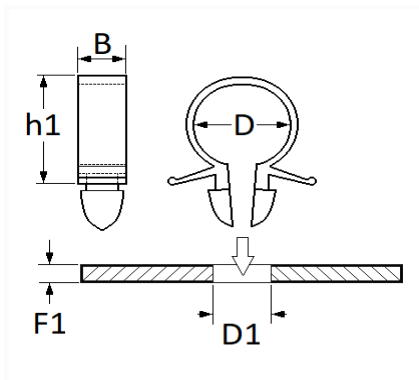


1 Allée des Bouleaux -F-95110 SANNOIS
 +33 (0)1 39 98 55 00
 info@restagraf.com

OMEGA CLIP Ø 10 mm WIRING FIXING



Item code	Number of References	Number of pieces	Conditioning
359	1	25	BAG



Technical informations	
D	10 mm
B	8 mm
h1	12.8 mm
D1	6.5 mm
F1	0.7 → 2 mm

Materials
POLYAMIDE 6

Manufacturer correspondence*			
PEUGEOT / CITROËN	699533	PEUGEOT / CITROËN	699545

Manufacturer correspondence*

PEUGEOT / CITROËN

6999C4 RENAULT

7703079070

* Non contractual information given as indication
