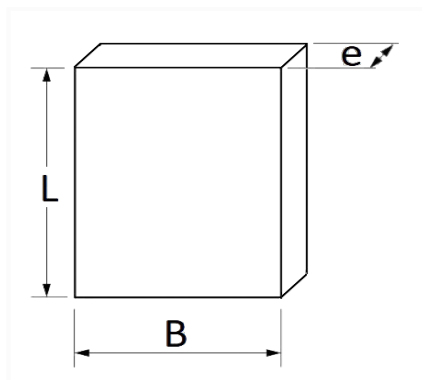


1 Allée des Bouleaux -F-95110 SANNOIS  
 +33 (0)1 39 98 55 00  
 info@restagraf.com

**AFDEKKING 105 X 67 mm REMPEDAAL**



Item code	Number of References	Number of pieces	Conditioning
2715	1	1	



Technical informations	
L	105 mm
B	67 mm
e	13 mm

Materials
ETHYLEEN PROPYLEEN DIENE MONO.

Manufacturer correspondence*			
CITROËN	91536497	PEUGEOT / CITROËN	450413

\* Non contractual information given as indication