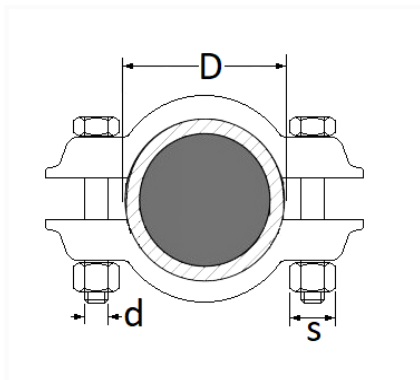


1 Allée des Bouleaux -F-95110 SANNOIS  
 +33 (0)1 39 98 55 00  
 info@restagraf.com

**EXHAUST CLAMP Ø 66 mm WITH THROAT**



Item code	Number of References	Number of pieces	Conditioning
2594	4	8	BAG



Technical informations	
D	66 mm
d	M8 x 1.25
s	13 mm

Materials
STEEL