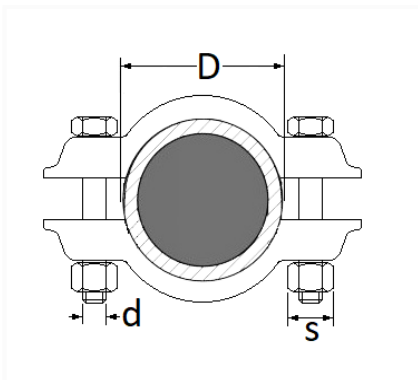


1 Allée des Bouleaux -F-95110 SANNOIS  
 +33 (0)1 39 98 55 00  
 info@restagraf.com

AUSPUFFSCHELLE ZWILLINGSVERSCHRAUBUNG Ø 49 mm



Item code	Number of References	Number of pieces	Conditioning
2591	1	1	BEUTEL



Technical informations	
D	49 mm
d	M8 x 1.25
s	13 mm

Materials
STAHL