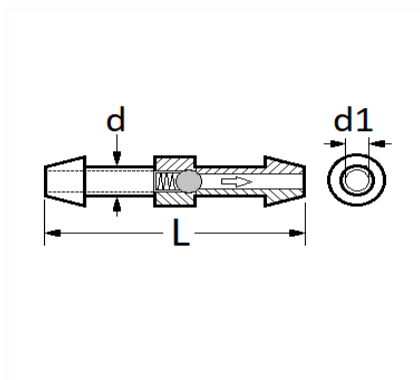


1 Allée des Bouleaux -F-95110 SANNOIS
 +33 (0)1 39 98 55 00
 info@restagraf.com

**TWEEWEGVERDEELSTUK Ø 5 mm ANTITERUGSLAG VOOR
 RUITENWISVLOEISTOFLEIDING**



Item code	Number of References	Number of pieces	Conditioning
2265	1	1	



Technical informations	
L	27.75 mm
d	5 mm
d1	2.7 mm

Materials
POLYACETAAL COPOLYMEER

Manufacturer correspondence*	
MERCEDES-BENZ	A0009970207

* Non contractual information given as indication