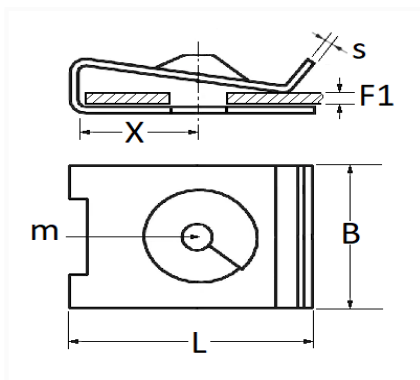


1 Allée des Bouleaux -F-95110 SANNOIS  
 +33 (0)1 39 98 55 00  
 info@restagraf.com

### U-NUT CLIP Ø 4,2 mm



Item code	Number of References	Number of pieces	Conditioning
136027	1	8	BAG



Technical informations	
L	18.9 mm
B	15 mm
X	10 mm
s	0.6 mm
F1	2.2 mm
m	Vis à Tôle Ø 4.2 mm

<b>Materials</b>
STAINLESS STEEL

Manufacturer correspondence*			
FORD Engineering number	W700767S300	FORD Finis	6669103

Manufacturer correspondence\*

SUBSTITUTABLE FOR FORD	4046114	SUBSTITUTABLE FOR FORD	W700767S301
SUBSTITUTABLE FOR FORD	W700767S424		

\* Non contractual information given as indication

---