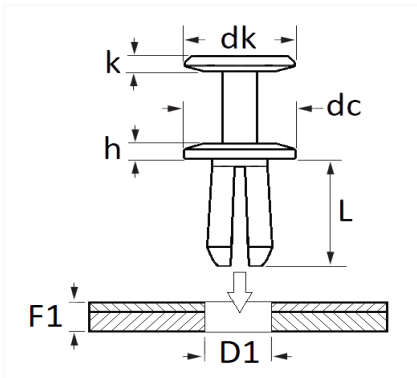


1 Allée des Bouleaux -F-95110 SANNOIS
 +33 (0)1 39 98 55 00
 info@restagraf.com

PLASTIC RIVET Ø 7,8 → 8,8 mm



Item code	Number of References	Number of pieces	Conditioning
130441	1	10	BAG



Technical informations	
dk	17 mm
k	2.5 mm
dc	15.5 mm
h	2 mm
L	13 mm
D1	7.8 → 8.8 mm
F1	0.8 → 7 mm

Materials
POLYAMIDE 66

Manufacturer correspondence*			
ALFA ROMEO	51815928	B.M.W	07147136172

Manufacturer correspondence*

FIAT	51815928	MINI	07147136172
------	----------	------	-------------

* Non contractual information given as indication
