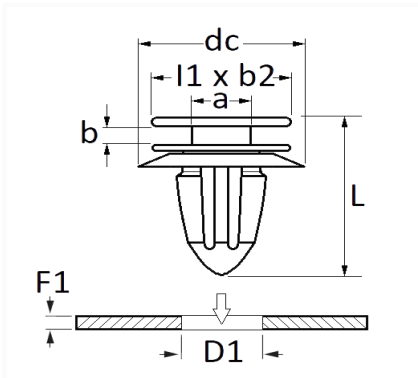


KLEM VOOR SIERLIJST Ø 8,8 mm FRAMESTIJL



Item code	Number of References	Number of pieces	Conditioning
130433	1	8	



Technical informations	
l1	16 mm
b2	13.1 mm
dc	14 mm
b	1.8 mm
a	4 mm
D1	8.8 mm
F1	0.7 → 0.9 mm

Materials

POLYACETAAL EN ELASTOMEER

Manufacturer correspondence\*

CUPRA	WHT009252	SKODA	WHT009252
-------	-----------	-------	-----------

Manufacturer correspondence\*

VOLKSWAGEN

WHT009252

\* Non contractual information given as indication

---