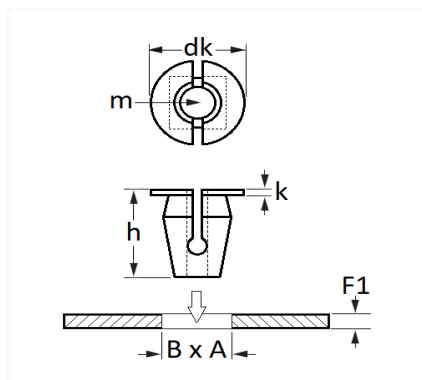


KUNSTSTOFFMUTTER Ø 5 mm



Item code	Number of References	Number of pieces	Conditioning
130426	1	8	BEUTEL



Technical informations	
dk	20 mm
k	1.5 mm
m	Vis Matériaux Tendres Ø 5 mm
B	10 mm
A	10 mm
F1	0.65 → 1.6 mm

Materials
NYLON

Manufacturer correspondence*	
MAZDA	GJ6A58975

* Non contractual information given as indication