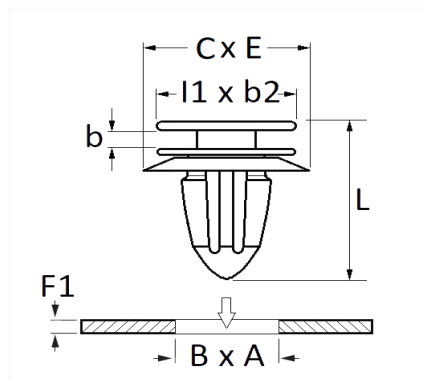


MOULDING CLIP FENDER FLARES



Item code	Number of References	Number of pieces	Conditioning
130420	1	6	BAG



Technical informations	
l1	18 mm
b2	14.6 mm
b	2.8 mm
F1	0.6 → 1 mm

Materials

POLYACETAL

Manufacturer correspondence*

MAZDA

KD4551W24

* Non contractual information given as indication