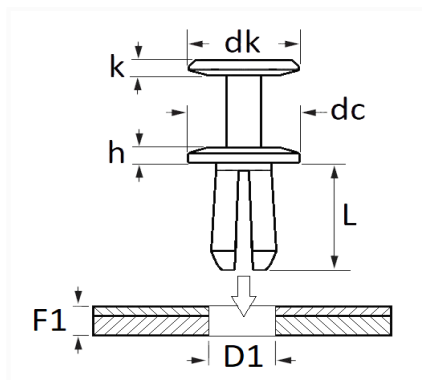


KUNSTSTOFFNIET Ø 8,2 → 9 mm



Item code	Number of References	Number of pieces	Conditioning
130418	1	8	BEUTEL



Technical informations	
dk	10.8 mm
k	1.2 mm
dc	18 mm
h	2.5 mm
D1	8.5 mm
F1	2 → 5 mm

Materials
POLYAMID

Manufacturer correspondence*	
MAZDA	B09251833

\* Non contractual information given as indication