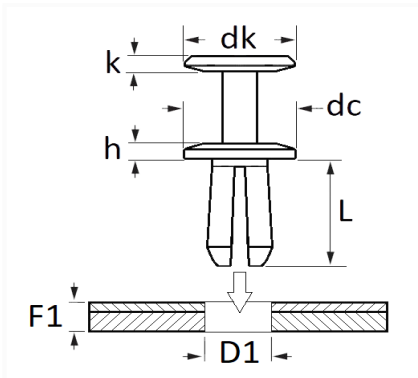


PLASTIC RIVET Ø 10 mm



Item code	Number of References	Number of pieces	Conditioning
130413	1	10	BAG



Technical informations	
dk	14 mm
k	1.7 mm
dc	19.6 mm
h	2.3 mm
D1	10 mm
F1	2 → 6 mm

Materials
POLYACETAL

Manufacturer correspondence*			
FORD Engineering number	YL8Z16K262HC	MAZDA	GD7A50EA1
*Non contractual information given as indication			