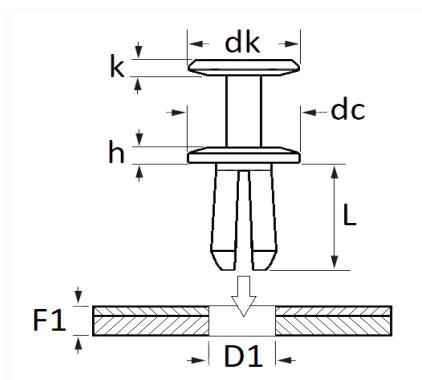


1 Allée des Bouleaux -F-95110 SANNOIS  
 +33 (0)1 39 98 55 00  
 info@restagraf.com

PLASTIC RIVET Ø 8 → 9 mm



Item code	Number of References	Number of pieces	Conditioning
130411	1	10	BAG



Technical informations	
dk	15.4 mm
k	1.5 mm
dc	20 mm
h	2 mm
D1	8 → 9 mm
F1	1.75 → 5.5 mm

Materials
POLYACETAL

Manufacturer correspondence*	
MAZDA	BGV456145

\* Non contractual information given as indication