

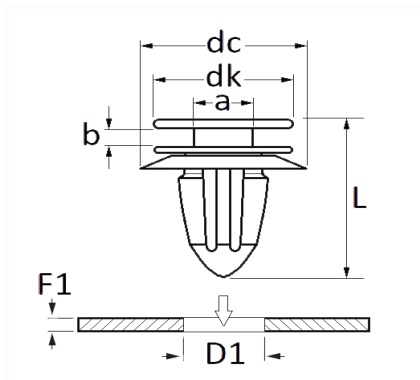


1 Allée des Bouleaux -F-95110 SANNOIS
 +33 (0)1 39 98 55 00
 info@restagraf.com

PLATTENCLIP Ø 8.9 → 9.3 mm TÜRVERKLEIDUNG



Item code	Number of References	Number of pieces	Conditioning
130394	1	10	BEUTEL



Technical informations	
dk	16 mm
dc	22 mm
b	2.6 mm
a	4.7 mm
D1	8.9 → 9.3 mm
F1	0.6 → 1.5 mm

Materials
POLYACETAT UND ELASTOMER

Manufacturer correspondence*			
FORD Finis	2464744	FORD Werksnummer	W721069S300

* Non contractual information given as indication