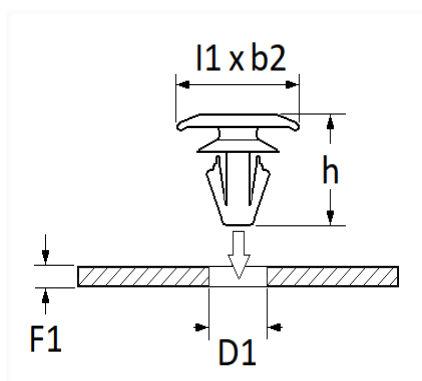


1 Allée des Bouleaux -F-95110 SANNOIS
 +33 (0)1 39 98 55 00
 info@restagraf.com

WEATHERSTRIP CLIP Ø 4,6 mm DOOR ANTI-DUST



Item code	Number of References	Number of pieces	Conditioning
42704	1	100	BOX
12064	1	18	BAG



Technical informations	
l1	12.7 mm
b2	5 mm
h	9.2 mm
D1	4.6 mm
F1	0.8 mm

Materials
POLYAMIDE 66

Manufacturer correspondence*			
SEAT	1Z0837732A	SKODA	1Z0837732A

Manufacturer correspondence*

VOLKSWAGEN

1Z0837732A

* Non contractual information given as indication
