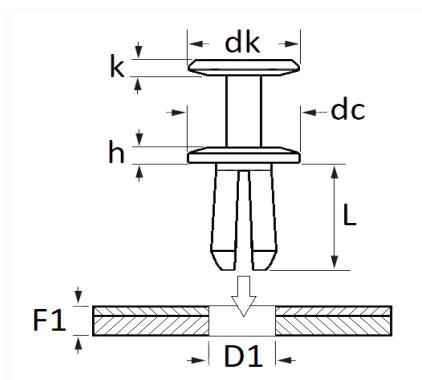


1 Allée des Bouleaux -F-95110 SANNOIS
 +33 (0)1 39 98 55 00
 info@restagraf.com

KUNSTSTOFFNIET Ø 6,2 mm



Item code	Number of References	Number of pieces	Conditioning
42686	1	100	BEHÄLTER
10484	1	25	BEUTEL



Technical informations	
dk	9.8 mm
k	2.6 mm
dc	12.1 mm
h	1.5 mm
L	14.2 mm
D1	6.2 mm
F1	5.8 → 11 mm

Materials
COPOLYMERES POLYACETAT

Manufacturer correspondence*			
MERCEDES-BENZ	A6389901592	OPEL (Stellantis)	6991F0

Manufacturer correspondence*			
PEUGEOT / CITROËN	6991F0	RENAULT	7703072261
RENAULT SAMSUNG MOTORS	348510	VOLKSWAGEN	8N8868307

* Non contractual information given as indication
