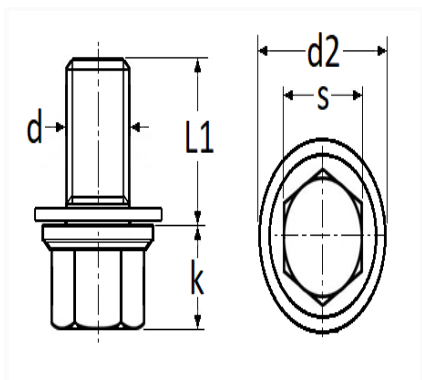


1 Allée des Bouleaux -F-95110 SANNOIS  
 +33 (0)1 39 98 55 00  
 info@restagraf.com

**ÖLABLASSSTOPFEN M14-1,5 X 22 mm DICHTUNG VORMONTIERT**



Item code	Number of References	Number of pieces	Conditioning
40752	1	10	BEHÄLTER
221470	1	1	BLISTER



Technical informations	
s	19 mm
d2	19.8 mm
k	7.6 mm
L1	22 mm
d	M14 x 1.50

<b>Materials</b>
STAHL

Manufacturer correspondence*			
ALTERNATIVE ZU AUDI	N91101401	ALTERNATIVE ZU AUDI	N91101402

Manufacturer correspondence*			
ALTERNATIVE ZU SEAT	N91101401	ALTERNATIVE ZU SEAT	N91101402
ALTERNATIVE ZU SKODA	N91101401	ALTERNATIVE ZU SKODA	N91101402
ALTERNATIVE ZU VOLKSWAGEN	N91101401	ALTERNATIVE ZU VOLKSWAGEN	N91101402
CHRYSLER - JEEP	68004313AA	FORD Finis	1459212
FORD Finis	2579863	FORD Werksnummer	6M216B709AA
MITSUBISHI	BD150178	MITSUBISHI	MN980017
RENAULT SAMSUNG MOTORS	23221	VOLKSWAGEN	N90813201
VOLKSWAGEN	N90813202		

\* Non contractual information given as indication