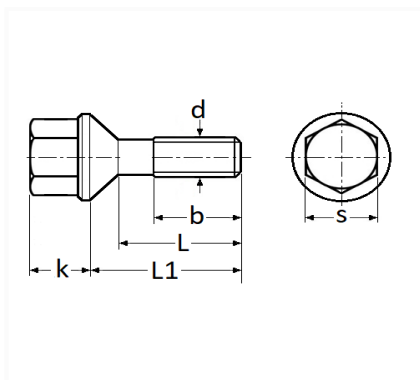


1 Allée des Bouleaux -F-95110 SANNOIS  
 +33 (0)1 39 98 55 00  
 info@restagraf.com

**RADSCHRAUBE M14-1,50 X 29 mm ALUMINIUMFELGE**



Item code	Number of References	Number of pieces	Conditioning
221541	1	1	BLISTER
1541	1	5	HÄNGEBOX



Technical informations	
s	17 mm
k	17 mm
L1	36 mm
L	28 mm
b	28 mm
d	M14 x 1.50

<b>Materials</b>
STAHL

<b>Manufacturer correspondence*</b>	
RENAULT	7703003009

\* Non contractual information given as indication