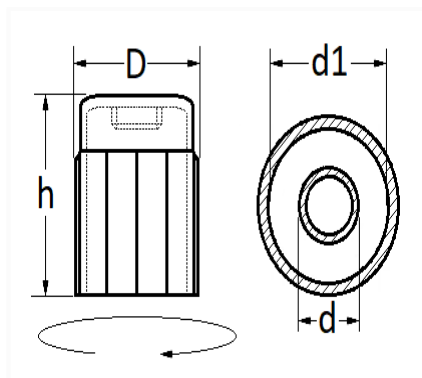


1 Allée des Bouleaux -F-95110 SANNOIS
 +33 (0)1 39 98 55 00
 info@restagraf.com

HIGH PRESSURE PLUG (R134A) AIR CONDITIONING



Item code	Number of References	Number of pieces	Conditioning
217990	1	1	BLISTER
2190	1	15	BAG



Technical informations	
h	19.6 mm
D	19.4 mm
d1	16.5 mm
d	M8 x 1.00

Materials
POLYAMIDE

Manufacturer correspondence*			
CITROËN	6457XK	DS Automobiles	6457XK

Manufacturer correspondence*

OPEL (Stellantis)	6457XK	PEUGEOT	6457XK
-------------------	--------	---------	--------

* Non contractual information given as indication
