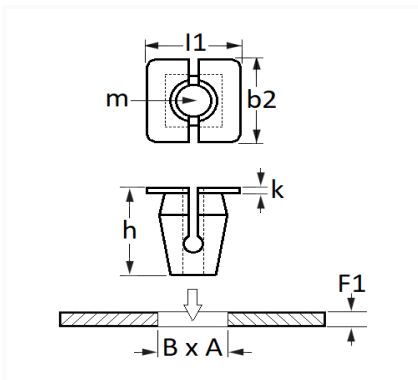


1 Allée des Bouleaux -F-95110 SANNOIS
 +33 (0)1 39 98 55 00
 info@restagraf.com

KUNSTSTOFFMUTTER Ø 6.3 mm



Item code	Number of References	Number of pieces	Conditioning
11882	1	6	BEUTEL



Technical informations	
l1	16 mm
b2	16 mm
k	2 mm
h	10 mm
m	Vis à Tôle Ø 6.3 mm
B	10 mm
A	10 mm
F1	0.2 → 2 mm

Materials
POLYAMID 66

Manufacturer correspondence*			
FORD Finis	1382747	FORD Werksnummer	W711434S300

Manufacturer correspondence*

VOLVO

3293328

* Non contractual information given as indication
