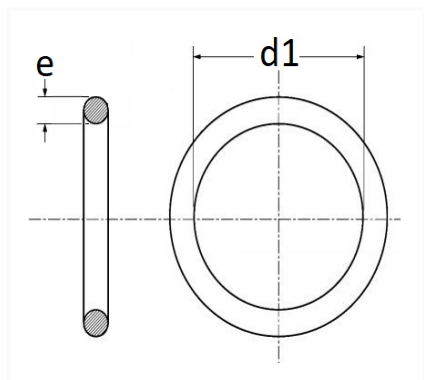


1 Allée des Bouleaux -F-95110 SANNOIS
 +33 (0)1 39 98 55 00
 info@restagraf.com

GREEN O-RING Ø 6,5 X 9,5 X 1,5 mm FOR AIR CONDITIONING



Item code	Number of References	Number of pieces	Conditioning
2208	1	8	BAG



Technical informations	
d1	6.50 mm
e	1.50 mm

Materials
HYDROGENATED NITRILE

Manufacturer correspondence*			
FIAT	14450383	FORD Engineering number	E853169S

Manufacturer correspondence*

FORD Finis	1640667	PEUGEOT / CITROËN	9788K5
------------	---------	-------------------	--------

* Non contractual information given as indication
