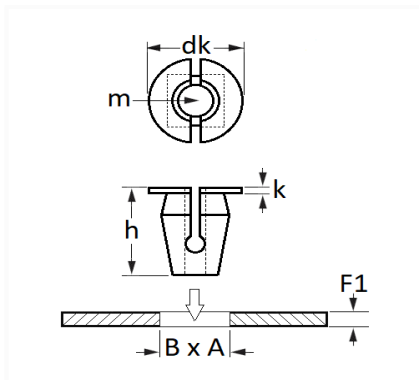


1 Allée des Bouleaux -F-95110 SANNOIS
 +33 (0)1 39 98 55 00
 info@restagraf.com

KUNSTSTOF MOER Ø 5 mm



Item code	Number of References	Number of pieces	Conditioning
1534	1	8	



Technical informations	
dk	22 mm
k	1 mm
h	18 mm
m	Vis Matériaux Tendres Ø 5 mm
B	9.5 mm
A	9.5 mm
F1	0.8 → 3 mm

Materials
POLYAMIDE 66+30% GLASVEZEL

Manufacturer correspondence*	
VOLKSWAGEN	7H0825555A

* Non contractual information given as indication