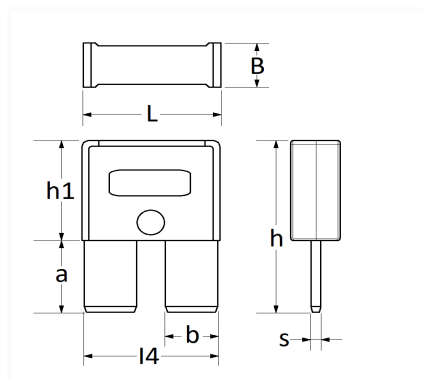


MAXICOMPACT 60A FLACHSICHERUNG



Item code	Number of References	Number of pieces	Conditioning
217508	1	2	BLISTER
17508	1	5	BEUTEL



Technical informations		
L		16.2 mm
B		6.5 mm
h		20 mm
h1		11.5 mm
a		8.5 mm
b		6.3 mm
l4		15.45 mm
s		0.81 mm
Intens.		60 A

Materials

VERZINNTES KUPFER

Manufacturer correspondence*

CITROËN	9836333380	DS Automobiles	9836333380
---------	------------	----------------	------------

Manufacturer correspondence*

OPEL (Stellantis)	9836333380	PEUGEOT	9836333380
-------------------	------------	---------	------------

* Non contractual information given as indication
