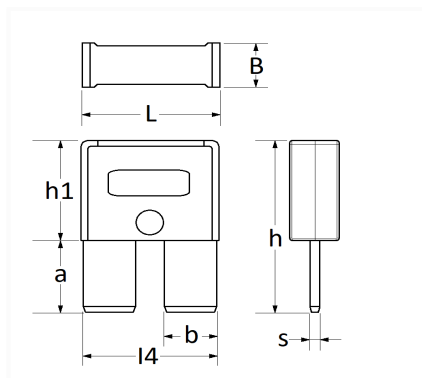


1 Allée des Bouleaux -F-95110 SANNOIS
 +33 (0)1 39 98 55 00
 info@restagraf.com

MAXICOMPACT 30A FLACHSICHERUNG



| Item code | Number of References | Number of pieces | Conditioning |
|-----------|----------------------|------------------|--------------|
| 217504 | 1 | 2 | BLISTER |
| 17504 | 1 | 5 | BEUTEL |



| Technical informations | | |
|------------------------|--|----------|
| L | | 16.2 mm |
| B | | 6.5 mm |
| h | | 20 mm |
| h1 | | 11.5 mm |
| a | | 8.5 mm |
| b | | 6.3 mm |
| l4 | | 15.45 mm |
| s | | 0.81 mm |
| Intens. | | 30 A |

Materials

VERZINNTES KUPFER

Manufacturer correspondence*

| | | | |
|---------|------------|----------------|------------|
| CITROËN | 9836304480 | DS Automobiles | 9836304480 |
|---------|------------|----------------|------------|

Manufacturer correspondence*

| | | | |
|-------------------|------------|---------|------------|
| OPEL (Stellantis) | 9836304480 | PEUGEOT | 9836304480 |
|-------------------|------------|---------|------------|

* Non contractual information given as indication
