

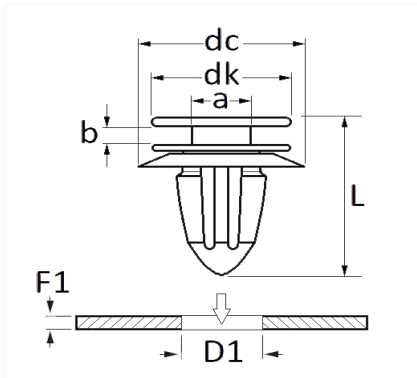


1 Allée des Bouleaux -F-95110 SANNOIS
 +33 (0)1 39 98 55 00
 info@restagraf.com

GRAUE PLATTENCLIP Ø 8,2 mm



Item code	Number of References	Number of pieces	Conditioning
130364	1	10	BEUTEL



Technical informations	
dk	12.5 mm
dc	18 mm
b	2.3 mm
a	6 mm
L	17.05 mm
D1	8.2 mm
F1	0.65 → 1.5 mm

Materials
POLYACETAT

Manufacturer correspondence*			
JAGUAR	T2R31859	JAGUAR	W781524SJ00

Manufacturer correspondence*

LAND ROVER	LR112137	LAND ROVER	W781524SJ00
------------	----------	------------	-------------

* Non contractual information given as indication
