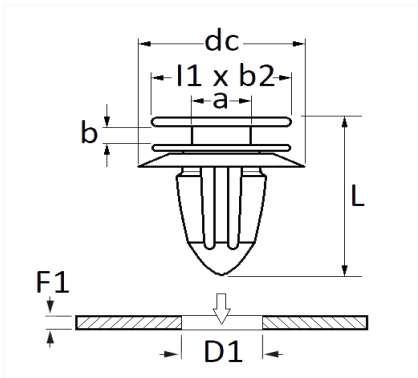


1 Allée des Bouleaux -F-95110 SANNOIS  
 +33 (0)1 39 98 55 00  
 info@restagraf.com

**LEISTENKLEMME Ø 8 mm**



Item code	Number of References	Number of pieces	Conditioning
130357	1	10	BEUTEL



Technical informations		
l1		10 mm
b2		8 mm
dc		15 mm
b		1.3 mm
L		11.2 mm
D1		8 mm
F1		0.8 → 1.2 mm

<b>Materials</b>
POLYACETAT

Manufacturer correspondence*			
FORD Werksnummer	W780227SJ100	LAND ROVER	LR038554

Manufacturer correspondence*			
LAND ROVER	W780227SJ00	SEAT	6F9853909
VOLKSWAGEN	6F9853909		

\* Non contractual information given as indication

---