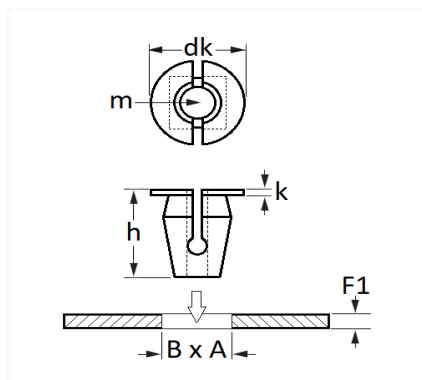


PLASTIC NUT Ø 4 mm



Item code	Number of References	Number of pieces	Conditioning
130347	1	6	BAG



Technical informations	
dk	12 mm
k	1.5 mm
h	8.9 mm
m	Vis Matériaux Tendres Ø 4 mm
B	7 mm
A	7 mm
F1	0.8→1.5 mm

Materials
POLYAMIDE

Manufacturer correspondence*			
HYUNDAI	1491004000	KIA	1491004000

\* Non contractual information given as indication