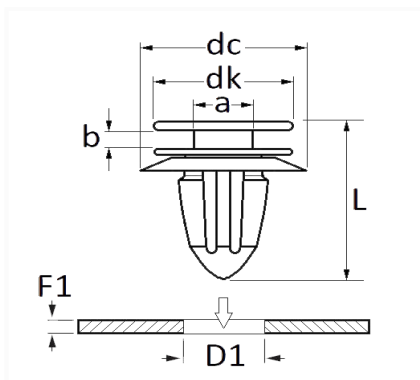


1 Allée des Bouleaux -F-95110 SANNOIS
 +33 (0)1 39 98 55 00
 info@restagraf.com

PLATTENCLIP Ø 8,5 → Ø 9,2 mm



Item code	Number of References	Number of pieces	Conditioning
130329	1	12	BEUTEL



Technical informations	
dk	12.9 mm
dc	18.5 mm
b	2.5 mm
a	5.7 mm
L	20.3 mm
D1	8.5→9.2 mm
F1	0.6→1.2 mm

Materials
POLYACETAT

Manufacturer correspondence*			
HYUNDAI	9255236000	KIA	9255236000

* Non contractual information given as indication