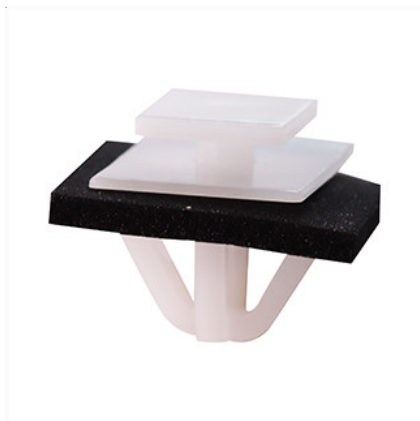
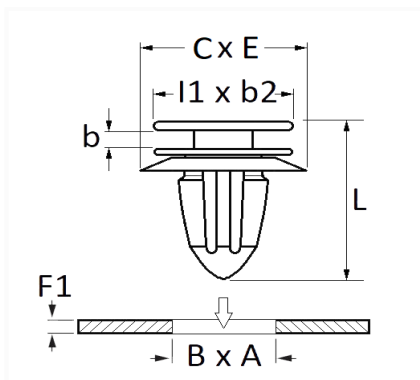


1 Allée des Bouleaux -F-95110 SANNOIS
 +33 (0)1 39 98 55 00
 info@restagraf.com

MOULDING CLIP 9,5 x 10 mm



Item code	Number of References	Number of pieces	Conditioning
130322	1	16	BAG



Technical informations	
l1	11.9 mm
b2	10.3 mm
C	19.9 mm
E	14.1 mm
b	2 mm
L	15.3 mm
B	9.5 mm
A	10 mm
F1	0.7→2 mm

Materials
POLYACETAL

Manufacturer correspondence*			
HYUNDAI	877162W000	KIA	877162W000

* Non contractual information given as indication