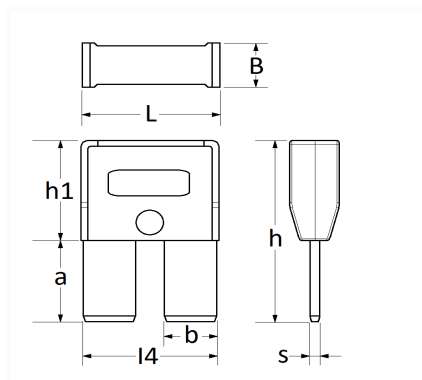


1 Allée des Bouleaux -F-95110 SANNOIS  
 +33 (0)1 39 98 55 00  
 info@restagraf.com

## M8 COMPACT 60A MESZEKERING



Item code	Number of References	Number of pieces	Conditioning
17511	1	5	
217511	1	2	



Technical informations		
L		20.3 mm
B		8 mm
h		30.2 mm
h1		17.5 mm
a		12.7 mm
b		8 mm
l4		20 mm
s		0.81 mm
Intens.		60 A

Materials
VERTIND KOPER

Manufacturer correspondence*			
CITROËN	9828738880	DS Automobiles	9828738880

Manufacturer correspondence\*

OPEL (Stellantis)	9828738880	PEUGEOT	9828738880
-------------------	------------	---------	------------

\* Non contractual information given as indication

---