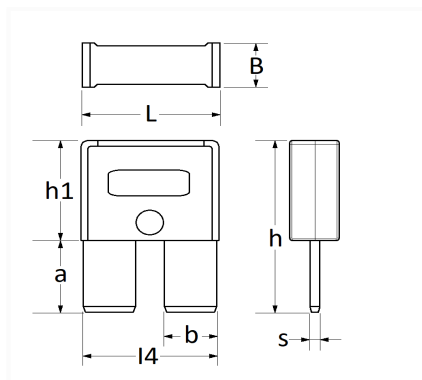


1 Allée des Bouleaux -F-95110 SANNOIS  
 +33 (0)1 39 98 55 00  
 info@restagraf.com

## MAXICOMPACT 30A FLACHSICHERUNG



Item code	Number of References	Number of pieces	Conditioning
17504	1	5	BEUTEL
217504	1	2	BLISTER



Technical informations		
L		16.2 mm
B		6.5 mm
h		20 mm
h1		11.5 mm
a		8.5 mm
b		6.3 mm
l4		15.45 mm
s		0.81 mm
Intens.		30 A

Materials
VERZINNTES KUPFER

Manufacturer correspondence*			
CITROËN	9836304480	DS Automobiles	9836304480

Manufacturer correspondence\*

OPEL (Stellantis)	9836304480	PEUGEOT	9836304480
-------------------	------------	---------	------------

\* Non contractual information given as indication

---