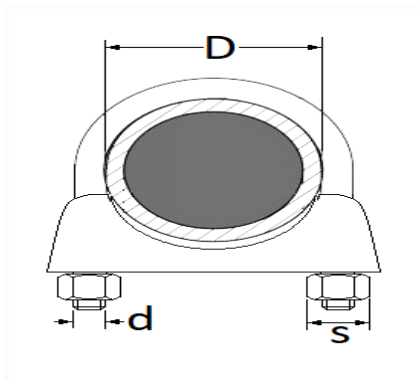


1 Allée des Bouleaux -F-95110 SANNOIS  
 +33 (0)1 39 98 55 00  
 info@restagraf.com

**U-BOLT EXHAUST CLAMP Ø 28 mm**



Item code	Number of References	Number of pieces	Conditioning
1971	1	10	BOX
971	1	2	BAG



Technical informations	
D	28 mm
d	M8 x 1.25
s	13 mm

Materials
STEEL