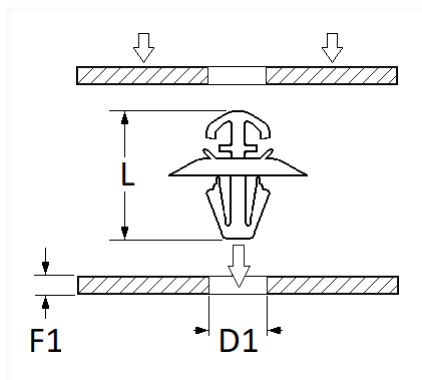


1 Allée des Bouleaux -F-95110 SANNOIS  
 +33 (0)1 39 98 55 00  
 info@restagraf.com

**MOULDING CLIP Ø 10.2 mm BODY SHELL BELTLINE**



Item code	Number of References	Number of pieces	Conditioning
130269	1	20	BAG



Technical informations	
L	19 mm
D1	10.2 mm
F1	0.7 → 1.2 mm

Materials
POLYACETAL COPOLYMER

Manufacturer correspondence*			
MERCEDES-BENZ	A0029918570	VOLKSWAGEN	2E1867289C

\* Non contractual information given as indication