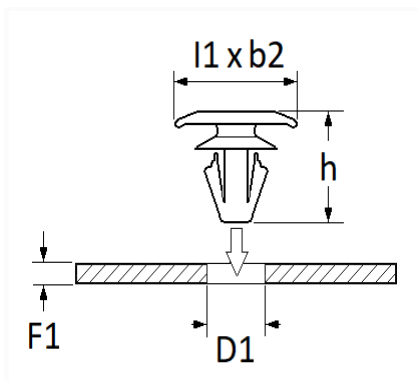


1 Allée des Bouleaux -F-95110 SANNOIS
 +33 (0)1 39 98 55 00
 info@restagraf.com

WEATHERSTRIP CLIP Ø 5,2 mm DOOR ANTI-DUST



Item code	Number of References	Number of pieces	Conditioning
130137	1	40	BAG



Technical informations	
l1	14 mm
b2	6.5 mm
h	12.4 mm
D1	5.2 mm
F1	0.7 mm

Materials
POLYAMIDE 66

Manufacturer correspondence*			
OPEL (GM) Catalog number	148311	OPEL Part number	11611342

Manufacturer correspondence*			
PEUGEOT / CITROËN	YQ00110980	SUBSTITUTABLE FOR OPEL	11611343
SUBSTITUTABLE FOR OPEL	11611664	SUBSTITUTABLE FOR OPEL	148312
SUBSTITUTABLE FOR OPEL	148410	VOLVO	M46050051

* Non contractual information given as indication
