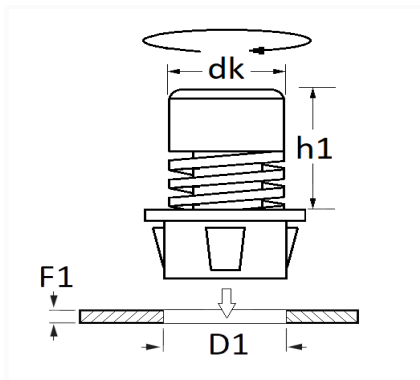


1 Allée des Bouleaux -F-95110 SANNOIS  
 +33 (0)1 39 98 55 00  
 info@restagraf.com

HECKKLAPPENPUFFER H = 37 → 48 mm



Item code	Number of References	Number of pieces	Conditioning
130061	1	4	BEUTEL



Technical informations	
dk	20 mm
h1	37 → 48 mm
D1	14.5 mm
F1	0.67 → 0.77 mm

Materials
POLYAMID UND ELASTOMER

Manufacturer correspondence*	
PEUGEOT / CITROËN	1623123680

\* Non contractual information given as indication