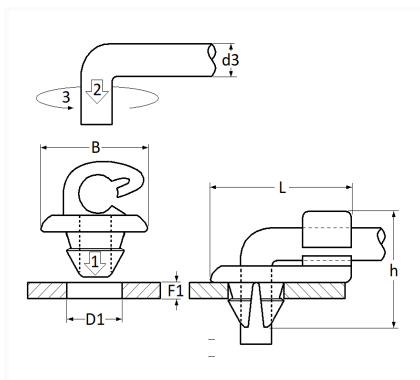


1 Allée des Bouleaux -F-95110 SANNOIS  
 +33 (0)1 39 98 55 00  
 info@restagraf.com

FÜHRUNGSLIP Ø 4 mm TÜRVERSCHLUSS



Item code	Number of References	Number of pieces	Conditioning
12609	1	6	BEUTEL



Technical informations	
L	17 mm
B	10 mm
h	14 mm
d3	4 mm
D1	6.5 mm
F1	1.6 mm

Materials
POLYAMID 6