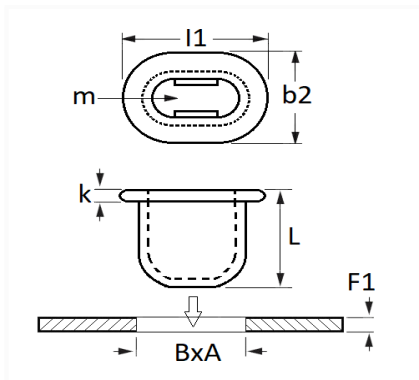


1 Allée des Bouleaux -F-95110 SANNOIS
 +33 (0)1 39 98 55 00
 info@restagraf.com

KUNSTSTOFFHÜLSE RÜCKLICHT



Item code	Number of References	Number of pieces	Conditioning
11635	1	8	BEUTEL



Technical informations	
l1	22 mm
b2	18 mm
k	2 mm
L	17.2 mm
m	Pion / Rotule Ø 4.7 mm
B	6 mm
A	12 mm
F1	0.8 → 1 mm

Materials
POLYAMID 66

Manufacturer correspondence*			
FORD Finis	1231405	FORD Werksnummer	W708894S300

Manufacturer correspondence*

LAND ROVER	LR000080	LAND ROVER	W708894S300
------------	----------	------------	-------------

* Non contractual information given as indication
