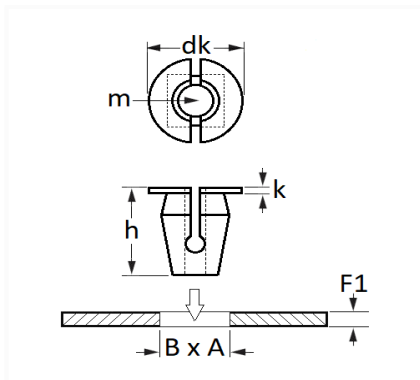


PLASTIC NUT Ø 5 mm



Item code	Number of References	Number of pieces	Conditioning
11618	1	8	BAG



Technical informations	
dk	17 mm
k	1.5 mm
h	12.7 mm
m	Vis Matériaux Tendres Ø 5 mm
B	7.5 mm
A	11.5 mm
F1	0.7 → 1.2 mm

Materials
POLYAMIDE 66

Manufacturer correspondence*			
FORD Engineering number	W713145S300	FORD Finis	1459652

Manufacturer correspondence*			
JAGUAR	C2Z5675	JAGUAR	T2H42499
JAGUAR	W713145S300	JAGUAR	W781362SJ00
LAND ROVER	LR027242	LAND ROVER	LR128940
LAND ROVER	W713145S300	LAND ROVER	W781362SJ00

* Non contractual information given as indication
