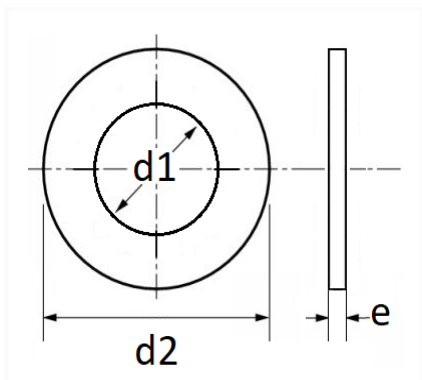


1 Allée des Bouleaux -F-95110 SANNOIS
 +33 (0)1 39 98 55 00
 info@restagraf.com

FLAT ALUMINIUM GASKET RING Ø 24 x 29 x 2 mm



| Item code | Number of References | Number of pieces | Conditioning |
|-----------|----------------------|------------------|--------------|
| 7667 | 1 | 10 | BAG |



| Technical informations | |
|------------------------|-------|
| d1 | 24 mm |
| d2 | 29 mm |
| e | 2 mm |
| | |
| | |
| | |
| | |
| | |
| | |
| | |

| |
|------------------|
| Materials |
| ALUMINUM |

| | |
|-------------------------------------|-----------|
| Manufacturer correspondence* | |
| VOLKSWAGEN | WHT000406 |

* Non contractual information given as indication