

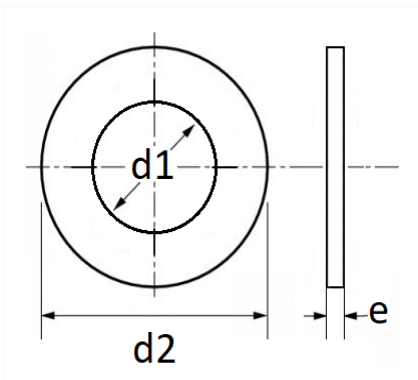


1 Allée des Bouleaux -F-95110 SANNOIS
 +33 (0)1 39 98 55 00
 info@restagraf.com

FLAT ALUMINIUM GASKET RING Ø 18 x 24 x 1.5 mm



Item code	Number of References	Number of pieces	Conditioning
7661	1	10	BAG



Technical informations	
d1	18 mm
d2	24 mm
e	1.5 mm

Materials
ALUMINUM

Manufacturer correspondence*			
B.M.W	07119963300	FORD Engineering number	W712097S300

Manufacturer correspondence*			
FORD Finis	1386502	HYUNDAI	K995641800
JAGUAR	LR000506	KIA	K995641800
LAND ROVER	LR000506	LAND ROVER	LR158316
MAZDA	995641800	PEUGEOT / CITROËN	6822Y1
PORSCHE	90012310630	RENAULT	7430977751
VOLKSWAGEN	N0138326	VOLVO	977751

* Non contractual information given as indication
