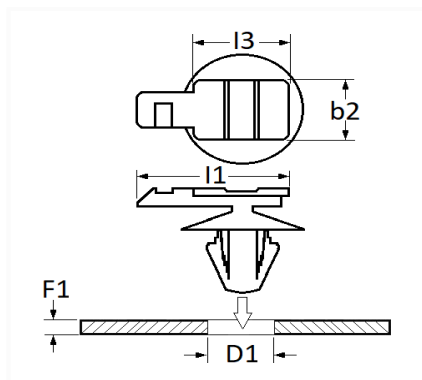


CONNECTORKLEM Ø 6,5 → 6,7 mm CONNECTORHOUDER



| Item code | Number of References | Number of pieces | Conditioning |
|-----------|----------------------|------------------|--------------|
| 1417      | 1                    | 15               |              |



| Technical informations |            |
|------------------------|------------|
| l1                     | 21 mm      |
| b2                     | 10 mm      |
| l3                     | 11 mm      |
| D1                     | 6.7 mm     |
| F1                     | 0.6 → 2 mm |
|                        |            |
|                        |            |
|                        |            |
|                        |            |

| Materials     |
|---------------|
| POLYAMIDE 6.6 |

| Manufacturer correspondence* |        |                   |        |
|------------------------------|--------|-------------------|--------|
| PEUGEOT / CITROËN            | 699205 | PEUGEOT / CITROËN | 699534 |

Manufacturer correspondence\*

|                   |            |         |            |
|-------------------|------------|---------|------------|
| PEUGEOT / CITROËN | 6999C1     | RENAULT | 7703077083 |
| RENAULT           | 7703077118 |         |            |

\* Non contractual information given as indication

---