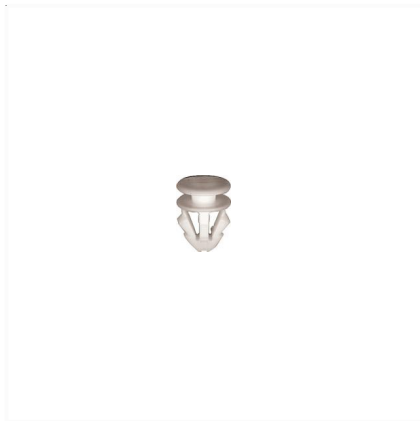
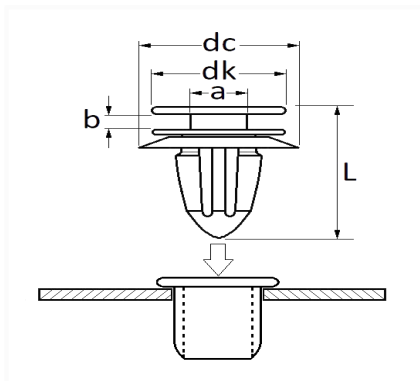


1 Allée des Bouleaux -F-95110 SANNOIS
 +33 (0)1 39 98 55 00
 info@restagraf.com

KLEM VOOR SIERLIJST Ø 8,9 → 9,1 mm FRAMESTIJL



Item code	Number of References	Number of pieces	Conditioning
1407	1	30	



Technical informations	
dk	12 mm
dc	12 mm
b	2.7 mm
a	6 mm
L	15.8 mm

Materials
POLYACETAAL COPOLYMEER

Manufacturer correspondence*

VOLKSWAGEN

191853585A

* Non contractual information given as indication
