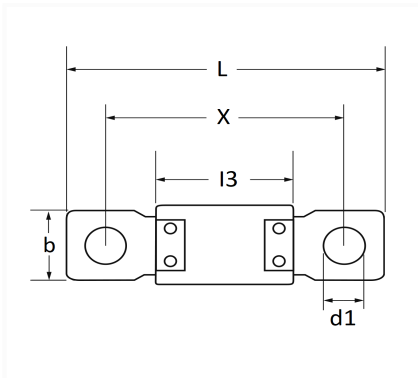


1 Allée des Bouleaux -F-95110 SANNOIS
 +33 (0)1 39 98 55 00
 info@restagraf.com

MEGA-SICHERUNG 32V 175A



Item code	Number of References	Number of pieces	Conditioning
317141	1	8	BEHÄLTER
17141	1	2	BEUTEL
225089	1	1	BLISTER



Technical informations	
L	68 mm
b	16.3 mm
X	50.9 mm
d1	8.5 mm
I3	29.2 mm
Intens.	175 A

Manufacturer correspondence*			
ALFA ROMEO	11056490	AUDI	N10525604
FIAT	11056490	FORD Finis	2320112
FORD Finis	3491595	FORD Werksnummer	CU5T14A094BA
FORD Werksnummer	F4SB14A094AA	JAGUAR	C2C19495
JAGUAR	LST8737AA	JAGUAR	T2H36063

Manufacturer correspondence*			
LAND ROVER	LR080509	MERCEDES-BENZ	A4155450260
MERCEDES-BENZ	N00000000596	NISSAN	0894100Q0A
OPEL (GM) Katalognummer	4430361	OPEL (GM) Teilenummer	93161394
RENAULT	8200351006	SEAT	N10525604
SKODA	N10525604	VOLKSWAGEN	N10525604
VOLVO	30659091		

* Non contractual information given as indication
