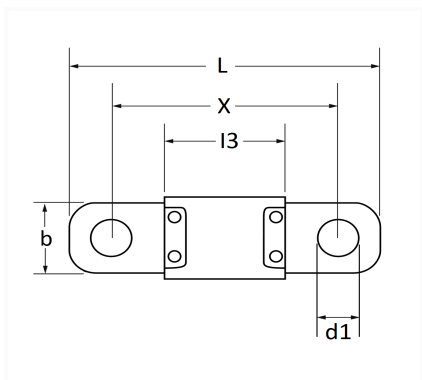


1 Allée des Bouleaux -F-95110 SANNOIS  
 +33 (0)1 39 98 55 00  
 info@restagraf.com

## MIDI-ZEKERING 60A



Item code	Number of References	Number of pieces	Conditioning
317133	1	10	
17133	1	2	
225081	1	1	



Technical informations	
L	41 mm
b	10 mm
X	30 mm
d1	5.4 mm
l3	16 mm
Intens.	60 A

Manufacturer correspondence*			
ALFA ROMEO	10404090	B.M.W	61136917405
CHEVROLET - DAEWOO	93746114	FIAT	10404090
FORD Finis	1148214	FORD Ontwerpnumen	2S6T14A094DA
HYUNDAI	1898005927	IVECO	42568115
JAGUAR	C2S35308	JAGUAR	T2H36075

Manufacturer correspondence*			
KIA	1898005927	LANCIA	10404090
LAND ROVER	LR003744	LAND ROVER	LR080425
LAND ROVER	YQG100350L	MAZDA	BP4K67MD6
MAZDA	EG5267099	MERCEDES-BENZ	N000000002798
MERCEDES-BENZ	N000000006625	MINI	61136917405
MITSUBISHI	MU000277	OPEL (GM) Catalogusnummer	6235737
OPEL (GM) Onderdeelnummer	13133867	OPEL (GM) Onderdeelnummer	95525686
PEUGEOT / CITROËN	6500FW	PEUGEOT / CITROËN	6500GX
PEUGEOT / CITROËN	6500X6	PEUGEOT / CITROËN	9665408180
PORSCHE	99960709200	PORSCHE	99960710500
PORSCHE	N10525503	PORSCHE	N10839402
RENAULT	8200552466	TESLA	100825700A
TESLA	107137960A	VOLKSWAGEN	N10525503
VOLVO	9441938		

\* Non contractual information given as indication