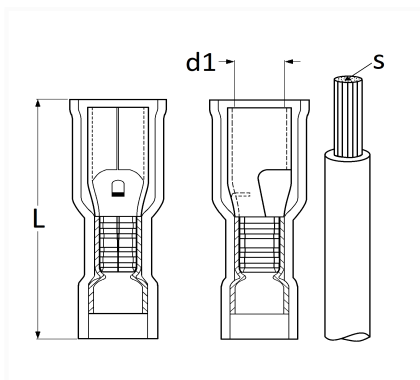


1 Allée des Bouleaux -F-95110 SANNOIS
 +33 (0)1 39 98 55 00
 info@restagraf.com

REINFORCED FEMALE INSULATED CYLINDRICAL TERMINAL Ø 4 mm (0,3 → 1,5 mm²)



Item code	Number of References	Number of pieces	Conditioning
306931	1	50	BOX
6931	1	16	BAG
226931	1	8	BLISTER



Technical informations	
L	23.3 mm
d1	3.9 mm
s	0.3 → 1.5 mm ²

Materials
BRASS