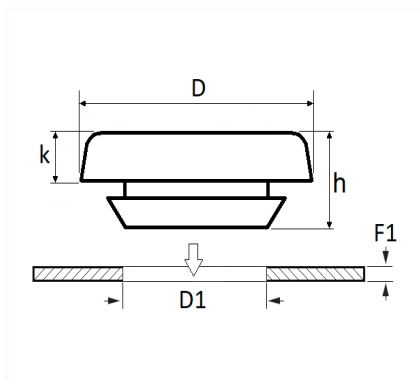


1 Allée des Bouleaux -F-95110 SANNOIS  
 +33 (0)1 39 98 55 00  
 info@restagraf.com

OPVULDOP Ø 32 mm



Item code	Number of References	Number of pieces	Conditioning
1384	1	6	



Technical informations	
D	43 mm
k	1 mm
h	10 mm
D1	32 mm
F1	0.7 → 2 mm

Materials
ETHYLEEN PROPYLEEN DIENE MONO.

Manufacturer correspondence*	
PEUGEOT / CITROËN	7150F6

\* Non contractual information given as indication