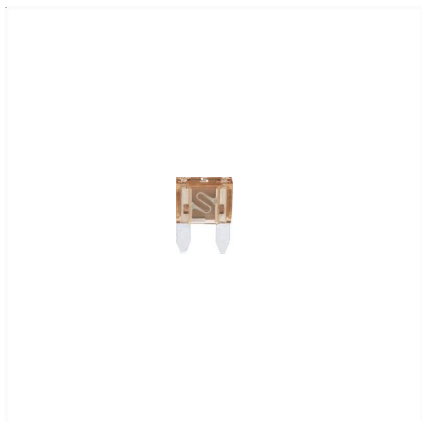
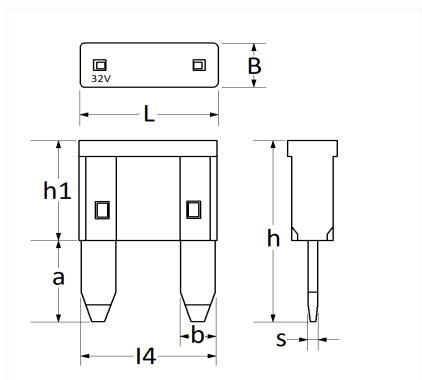


1 Allée des Bouleaux -F-95110 SANNOIS
 +33 (0)1 39 98 55 00
 info@restagraf.com

BLADE FUSE MINI 32V 5A



Item code	Number of References	Number of pieces	Conditioning
306841	1	50	BOX
6841	1	10	BAG
226841	1	5	BLISTER



Technical informations	
L	11.1 mm
B	3.9 mm
h	16.2 mm
h1	8.9 mm
a	7.3 mm
b	2.8 mm
l4	10.8 mm
s	0.82 mm
Intens.	5 A

Materials
ZINC

Manufacturer correspondence*			
ALFA ROMEO	10395890	AUDI	N10261501

Manufacturer correspondence*			
B.M.W	61136917401	CHEVROLET - DAEWOO	12092081
CHEVROLET - DAEWOO	88909751	CHEVROLET - DAEWOO	96234926
CHRYSLER - JEEP	000ATM5	CHRYSLER - JEEP	10395890
CUPRA	N10261501	DS Automobiles	6500N8
FIAT	10395890	FIAT	6000618865
FORD Engineering number	1L3T14A094DA	FORD Finis	4350804
IVECO	10395890	IVECO	16711890
JAGUAR	C2S25670	JAGUAR	C2S9902
JAGUAR	JLM20894	JAGUAR	T2H36054
LANCIA	10395890	LAND ROVER	LR003737
LAND ROVER	LR075977	LAND ROVER	YQF100490
MAZDA	997051205	MERCEDES-BENZ	N000000004193
MERCEDES-BENZ	N000000007664	MERCEDES-BENZ	N000000007900
MERCEDES-BENZ	N000000008708	MINI	61136917401
MITSUBISHI	MS810874	NISSAN	0894100QBD
NISSAN	24319C9905	OPEL (GM) Catalog number	4419924
OPEL (GM) Catalog number	6238299	OPEL (Stellantis)	6500N8
OPEL Part number	12092081	OPEL Part number	9196441
OPEL Part number	9196442	OPEL Part number	93167523
OPEL Part number	95524719	OPEL Part number	95525637
PEUGEOT / CITROËN	6500N8	PEUGEOT / CITROËN	6545ZX
PORSCHE	PAA102615	RENAULT	7700410572
RENAULT	7703297152	SAAB	24426653
SEAT	N10261501	SKODA	N10261501
TOYOTA	9008082031	TOYOTA	90118WA361
TOYOTA	9098209007	VOLKSWAGEN	N10261501
VOLVO	8676019		

* Non contractual information given as indication