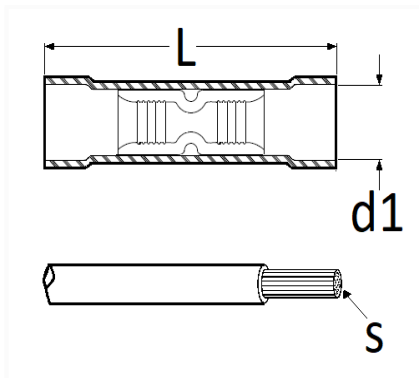


1 Allée des Bouleaux -F-95110 SANNOIS
 +33 (0)1 39 98 55 00
 info@restagraf.com

GEÏSOLEERDE PERSMOF 0,25 → 1,5 mm²



Item code	Number of References	Number of pieces	Conditioning
306625	1	100	
6625	1	30	
226625	1	5	



Technical informations	
L	25.2 mm
d1	4 mm
s	0.5 → 1.5 mm ²

Materials
KOPER