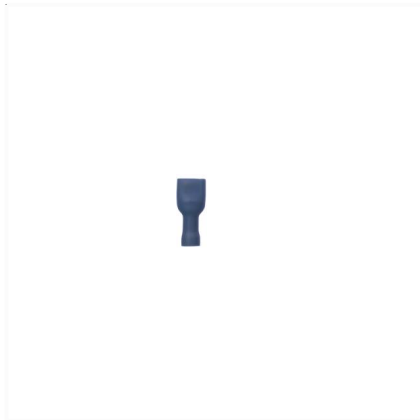
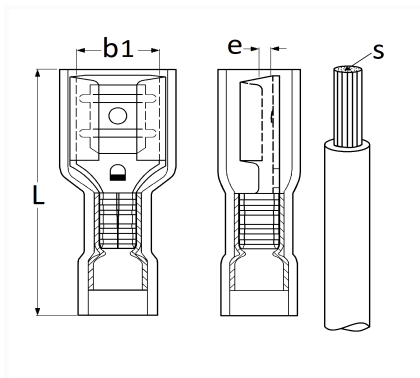


1 Allée des Bouleaux -F-95110 SANNOIS
 +33 (0)1 39 98 55 00
 info@restagraf.com

SIMPLE CRIMP FEMALE INSULATED FLAT TERMINAL 6,35 x 0,8 mm (1 → 2,5 mm²)



Item code	Number of References	Number of pieces	Conditioning
306610	1	50	BOX
6610	1	21	BAG
555119	1	150	BAG



Technical informations	
L	22.5 mm
b1	6.4 mm
e	0.8 mm
s	1 → 2.5 mm ²